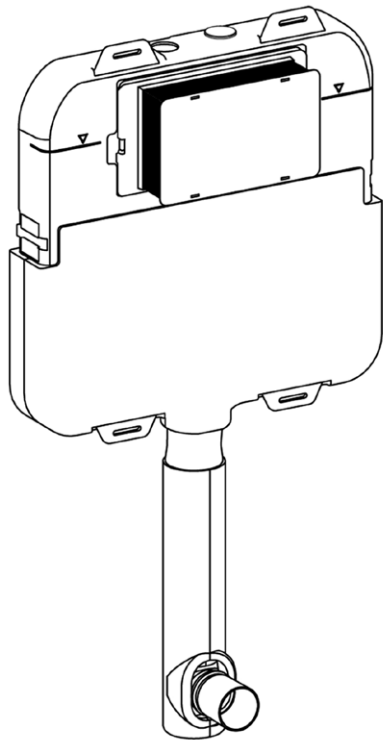


InWall C100 Cistern – 80mm thick

Former name: InWall C100 Cistern



Slim in-wall cistern • Suits floor mount pan • Fits standard wall

This in-wall cistern is part of the Seima in-wall toilet system. The cistern is activated through pneumatic flush buttons.

- Suits floor mount toilet pan.
- 80mm thick, slim design, suits installation in a standard wall (or other).
- Front access to cistern through flush plate.
- Fully insulated by anti-condensation foam to prevent moisture escape.
- Easy to install.
- Innovative design allows the cistern to be serviced through the flush plate.

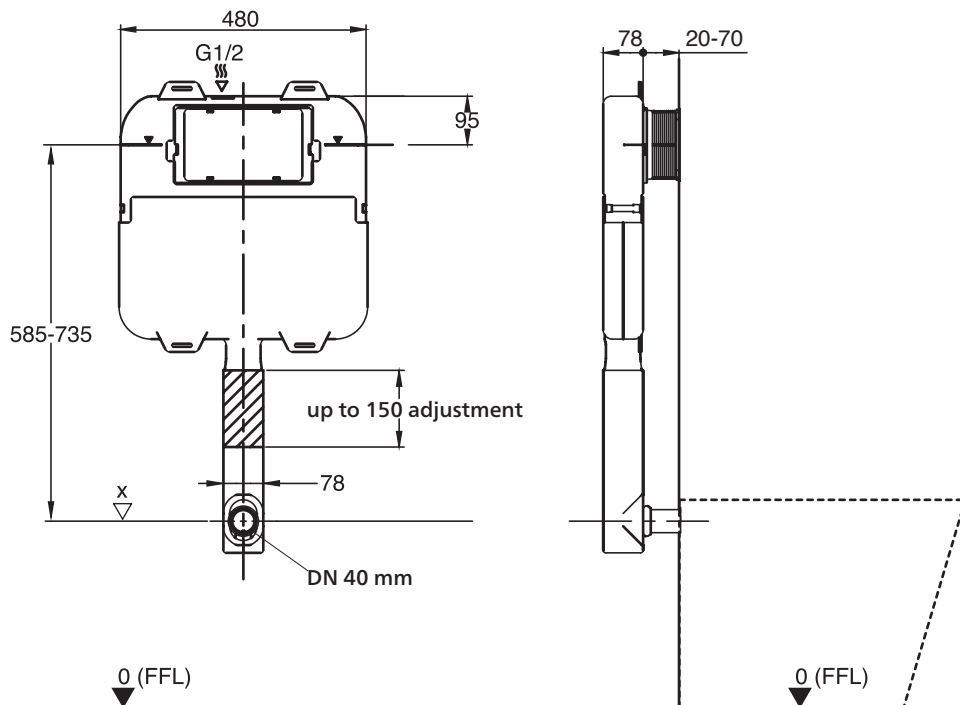
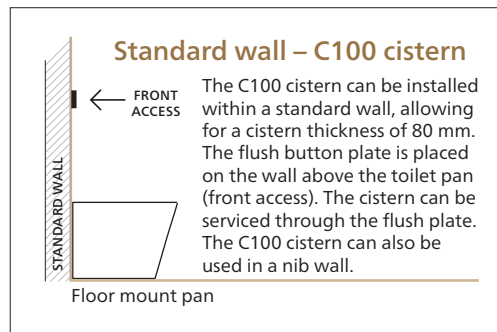
Order codes

191806 Inwall C100 cistern

Old code: STO-C100

Product details

ACCESS	Front access through flush plate.
WELS	4 star rating 4.5/3 litre water saving flush (Reg 04737).
PAN	Suits floor mount pan.
BUTTONS	Compatible with the full range of Seima flush buttons.
INSTALLATION	Refer to installation instructions for details.



SEIMA

kitchen + laundry + bathroom ware

seima.com.au

Please note

- Installation shall be in accordance with AS/NZS3500.
- All measurements are in millimetres. Height dimensions are to base of pan. Make allowance for bedding.
- Bedding: Pan may be bedded with cement base or using silicone sealant. Fix pan to floor using a sand cement mixture of 3:1 to a depth of 60mm. Do not use lime or fast-drying cement.

- Bracket fixing: The pan should be bedded with silicone sealant and fixed with the brackets supplied.
- Do NOT use epoxy type adhesives.
- Dimensions are nominal and subject to normal ceramic manufacturing variations.
- Specifications may vary without notice as part of our continuous improvement practices.
- Clean with a damp cloth. Do not use abrasive cleaners, liquids or pastes.