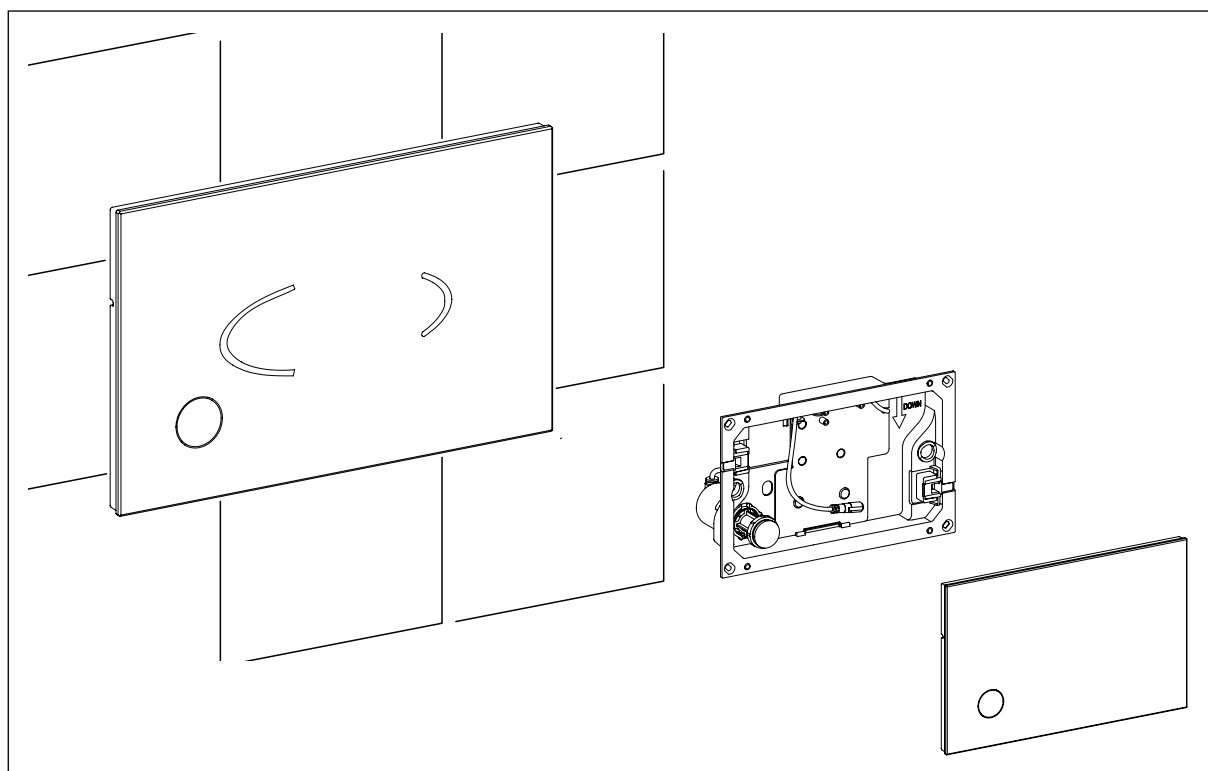


FLUSH PLATE 600 – SENSOR FLUSH BUTTONS

Installation and operation guide

IMPORTANT

- 1 Inspect the product before installation to ensure there are no visible defects. If a defect is found, do not install the product and contact the supplier immediately. Claims for defects will not be accepted after the product has been installed.
- 2 Do not modify the product or add any additional modules. Operation and care should be performed in accordance with these operating instructions.
- 3 The product must be installed by a licensed tradesperson. Failure to do so may void the warranty.



TECHNICAL DATA AND CLEANING

Size	238 x 154 x 11 mm
Power supply	Adapter (Input: 100-240VAC 50 / 60Hz, Output: 6VDC / 1.5A)
Energy consumption	AC power supply energy consumption in standby mode $\leq 0.5W$
Working temperature	1 - 55°C
Relative humidity	$\leq 95\%$
Interval flush	The actuator plate activates a partial flush at regular time intervals (72h) automatically when in standby mode.
Detection distance	Near Mode (full / partial flush): $\leq 10cm$ (tested by hand) Detection distance is $16\pm 3cm$ if tested with white paperboard Remote auto-sensing mode (full flush): 70cm
Sensor illumination detection distance	110cm
Cleaning	Clean the exposed surface of the flush plate with mild cleaning agents and water using a soft cloth.

SEIMA

bathroom | kitchen | laundry

seima.com.au

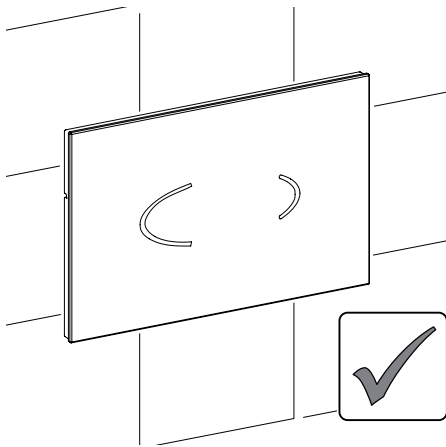
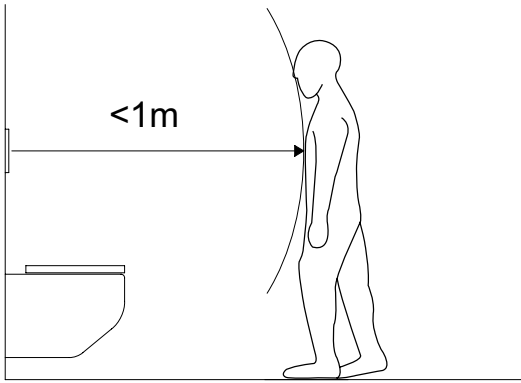
Please note

- All measurements are in millimetres.
- Specifications may vary without notice as part of our continuous improvement practices.
- Clean with a damp cloth. Do not use abrasive cleaners, liquids or pastes.

Operation method 1

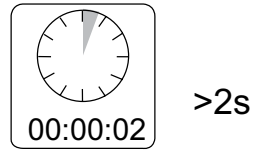
1

The sensor illumination comes on as soon as you approach the flush plate within 1 metre distance.



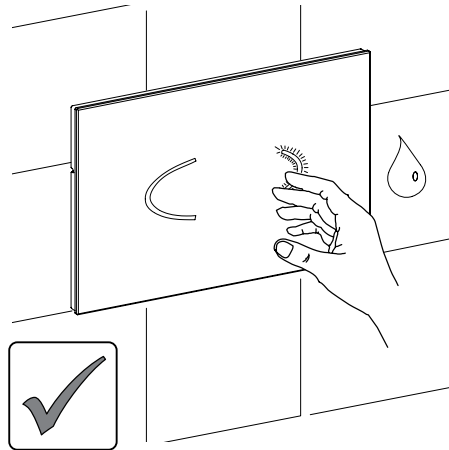
3

After a two second interval.



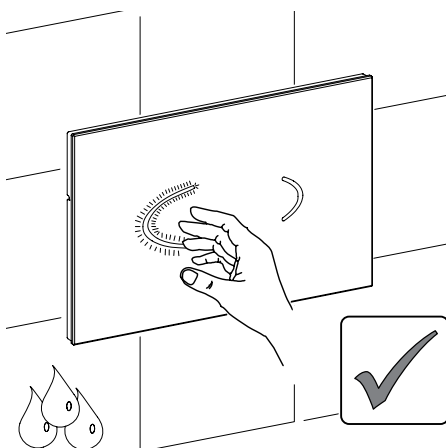
4

When a hand is placed in front of the partial flush sensor on the right, the sensor lights up and a partial flush is activated.



2

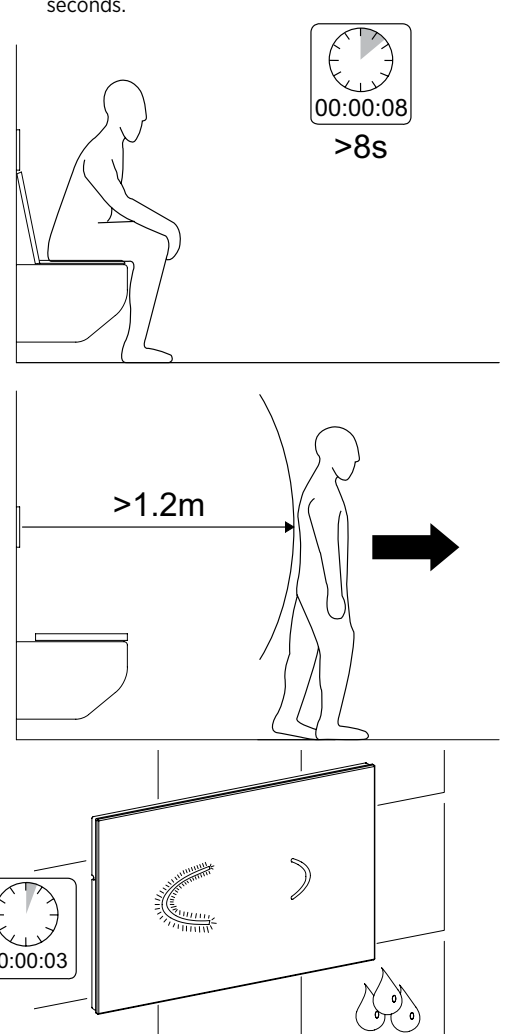
When a hand is placed in front of the full flush sensor on the left, the sensor lights up and a full flush is activated.



Operation method 2

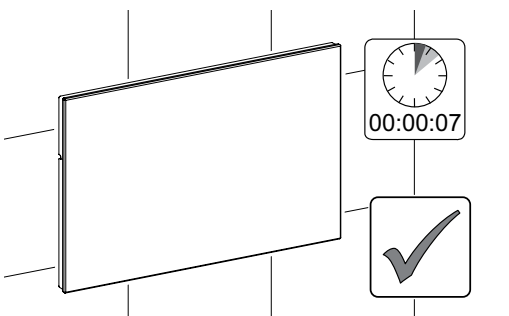
Operation method 3 - manual override

1 When a person is in front of the flush plate for more than eight seconds and then moves beyond 1.2 metres away, the full flush sensor on the left will light up and a full flush will be activated after three seconds.



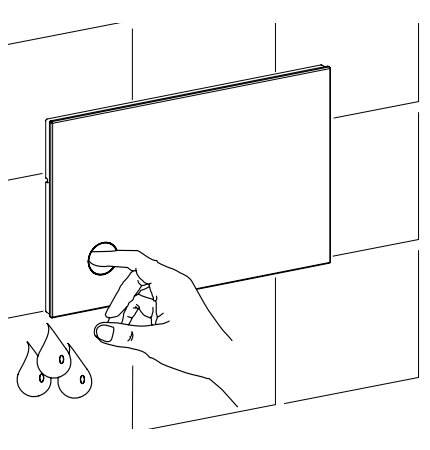
The diagram illustrates the first step of operation method 2. It is divided into three horizontal sections. The top section shows a person sitting on a toilet. To the right, a clock icon displays '00:00:08' with '>8s' below it, indicating the duration of occupancy. The middle section shows a person standing and walking away from the toilet, with a horizontal arrow indicating a distance of '>1.2m'. The bottom section shows a close-up of the flush plate. The left side of the plate is illuminated, and a clock icon next to it shows '00:00:03', representing the time until a full flush is activated. A water drop icon is also present at the bottom right of the flush plate.

2 After another seven seconds, the sensor illumination will turn off.



The diagram illustrates the second step of operation method 2. It shows a close-up of the flush plate. A clock icon next to it displays '00:00:07', indicating the time interval after the sensor illumination turns off. Below the clock is a checkmark icon, signifying the completion of the process.

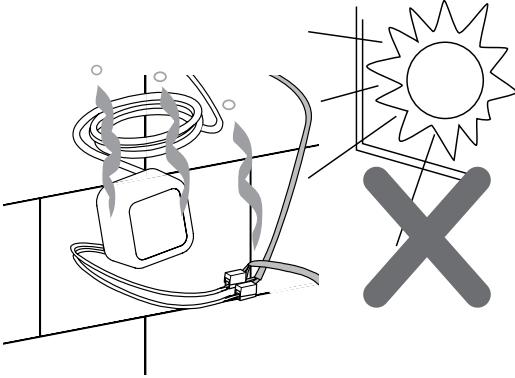
1 In case of power failure, press the manual override button to activate a full flush.



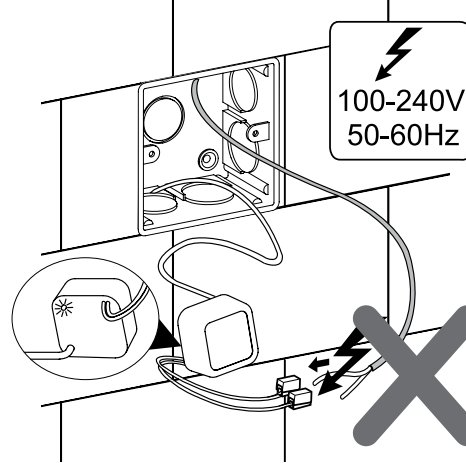
The diagram illustrates the first step of operation method 3. It shows a hand pressing a circular manual override button on the flush plate. Below the button, there are three water drop icons, indicating that a full flush is being activated.

Safety instructions

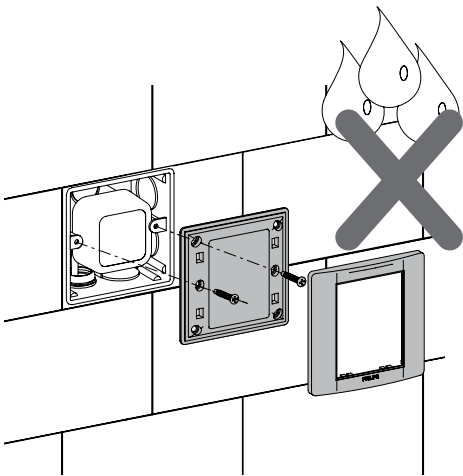
Do not install the adaptor so that it is exposed, especially to sunlight.



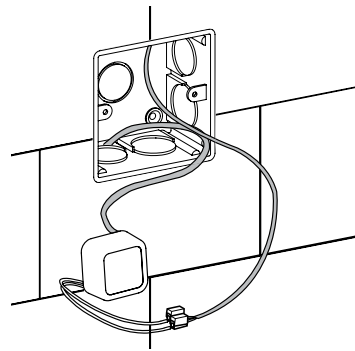
Any operation is disallowed when the adaptor is connected to the power supply.



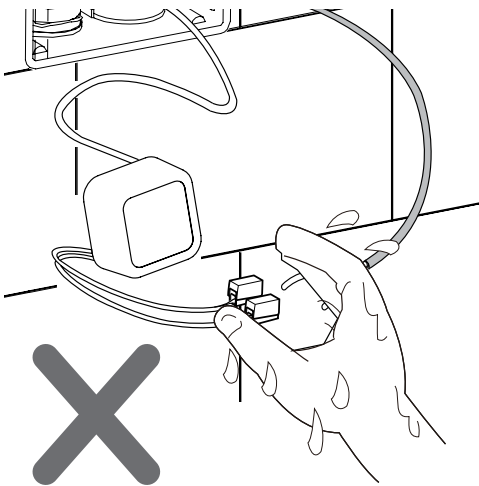
Do not install the adaptor in wet surroundings.



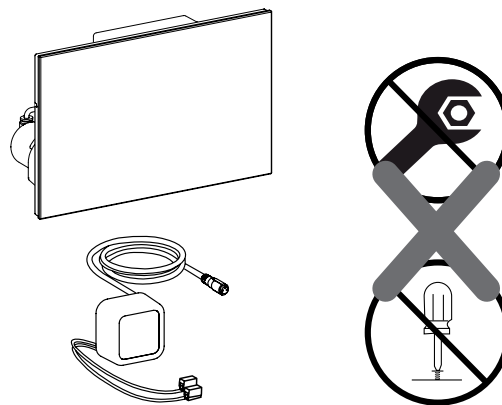
The size of cable should be 1.0-2.5mm² and the wire connector should be connected firmly.



Do not operate with wet hands.



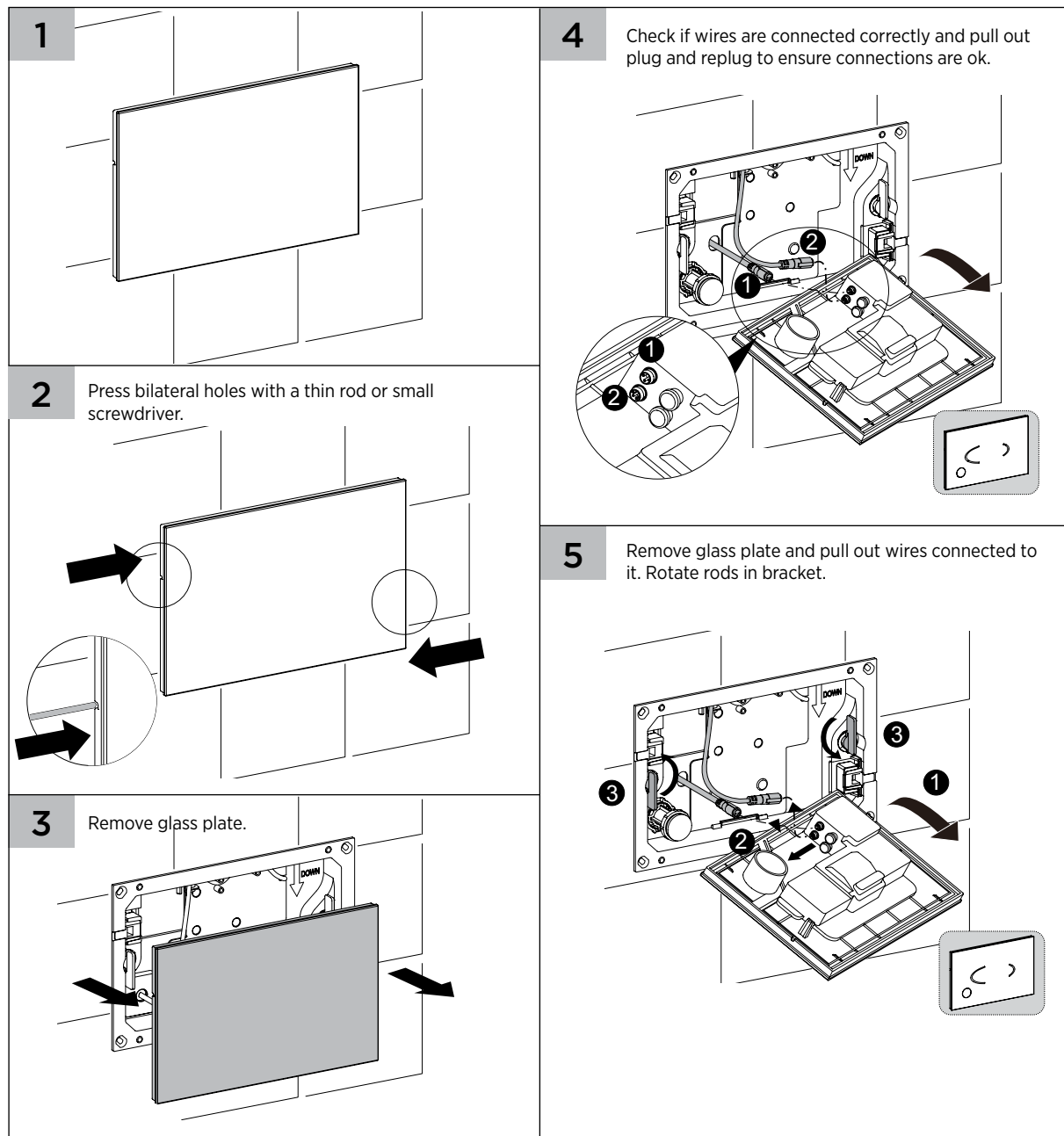
Do not disassemble the product.



Troubleshooting - 1 of 2

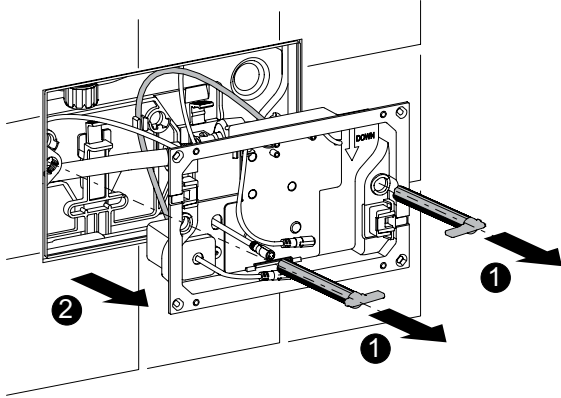
Note: Troubleshooting must be carried out by an appropriately licensed tradesperson.

	Problem	Solutions	Steps
1	Light is out and toilet doesn't flush.	Confirm if power wire (with white plug) is connected correctly. Check if power adaptor works normally, meaning the indicator light in adaptor is bright.	1-4 8-9
2	Light is bright but toilet doesn't flush.	Check if signal wire (black plug) is connected correctly.	1-4
3	Light is bright but full and partial flushes interchange.	Check if thick and thin airpipes are connected correctly.	1-7
4	Manual button doesn't work.	Check if manual airpipe is connected correctly.	1-7

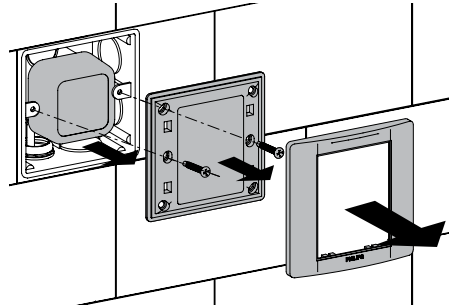


Troubleshooting - 2 of 2

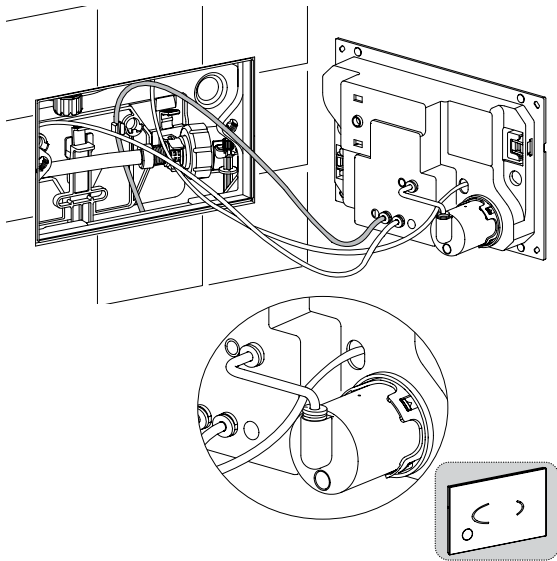
6 Remove rods and take down bracket.



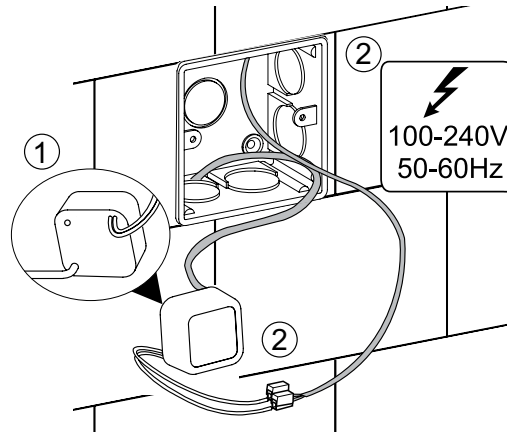
8 Remove power adaptor.



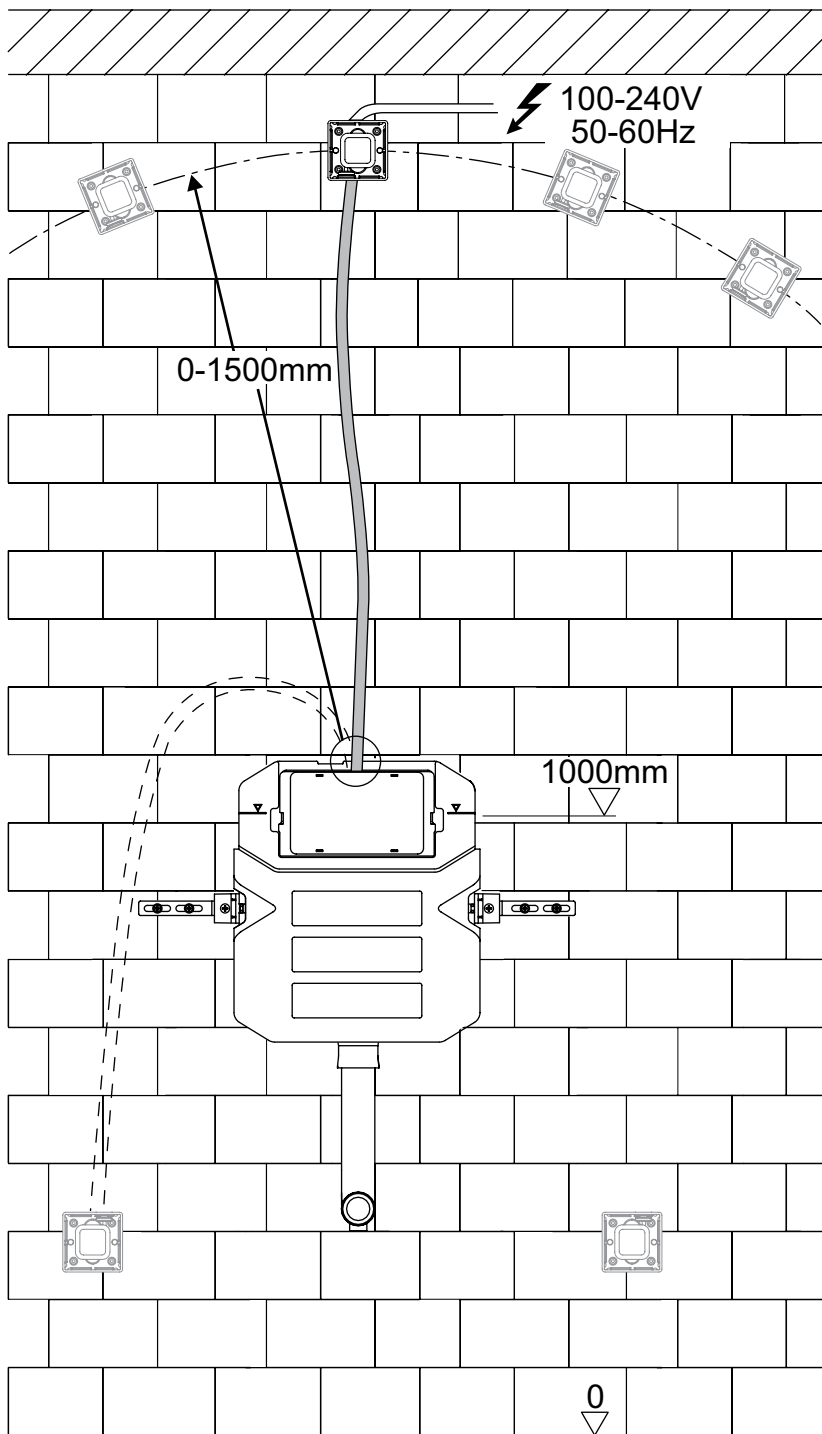
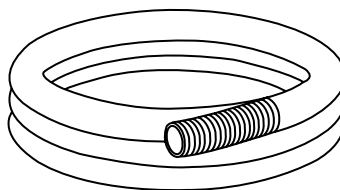
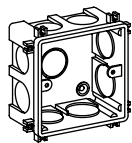
7 Check if airpipes behind bracket are connected correctly. If they are loose, replug them tightly.

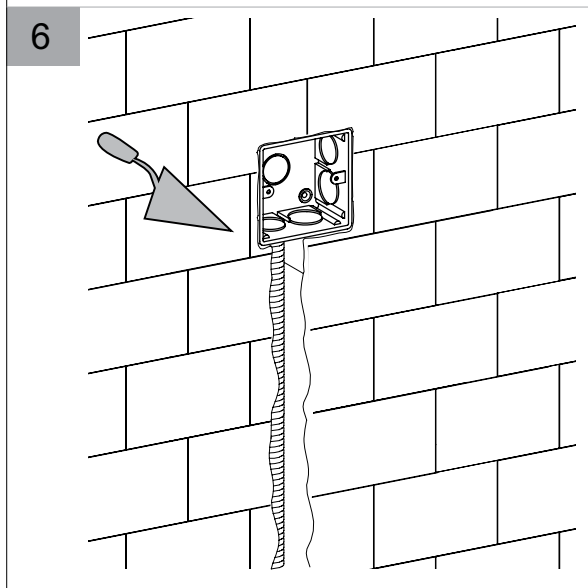
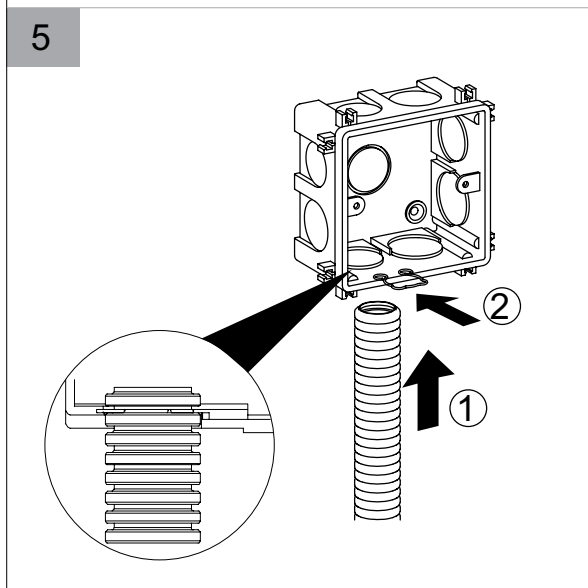
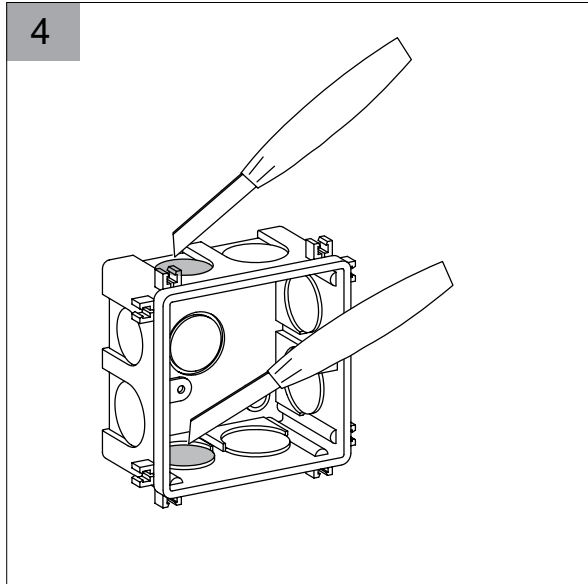
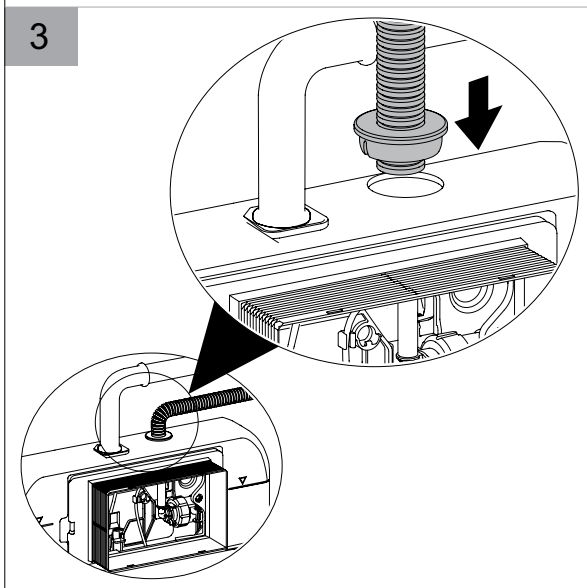
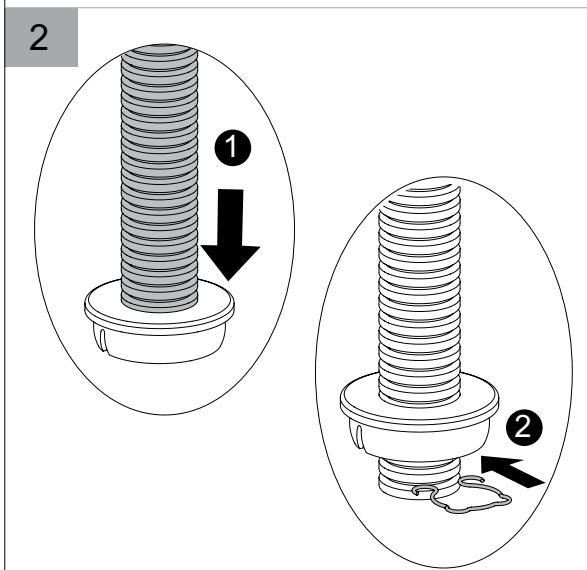
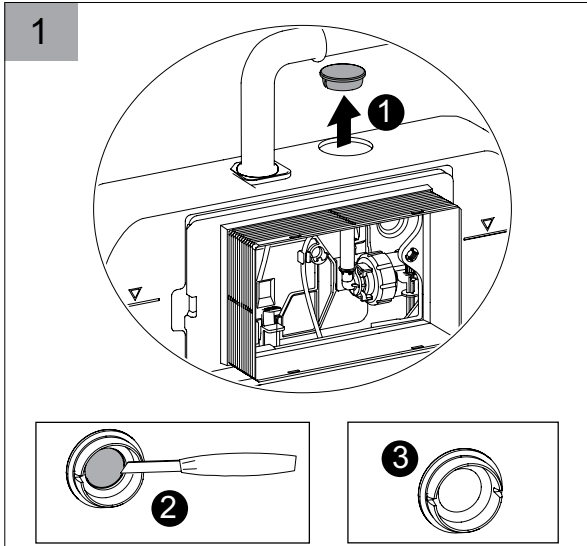


9 Check if indicator light is bright. If not, check if wires are connected to quick connector correctly. Then check if wires are connected to the power supply normally. If all wires are connected correctly, please contact the supplier.

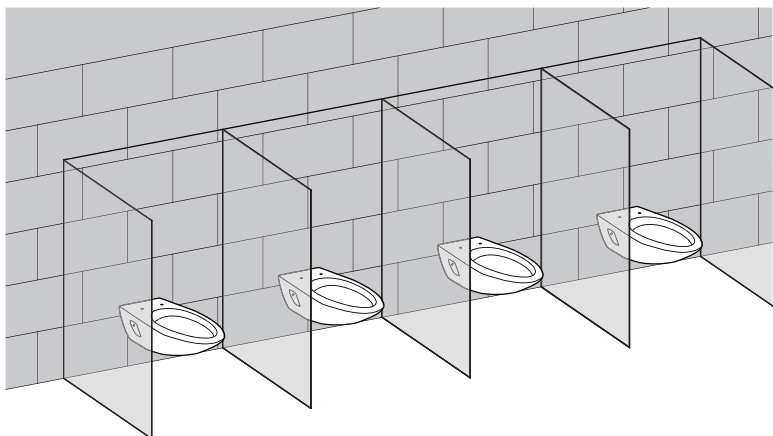
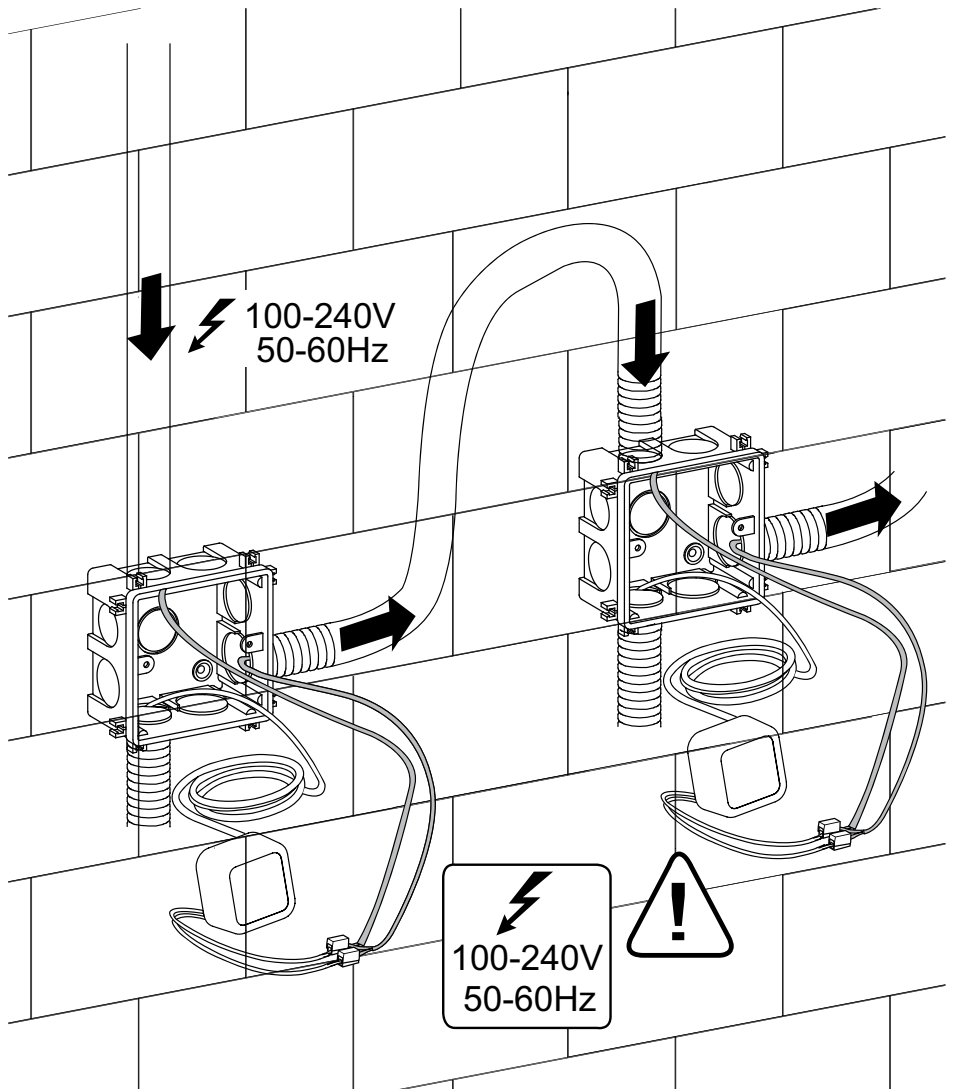


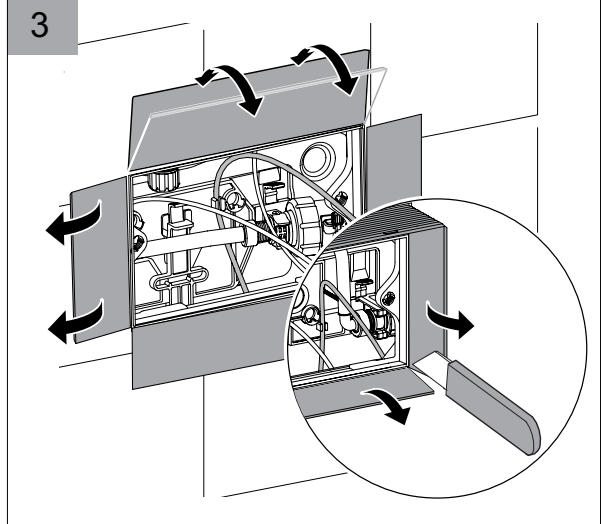
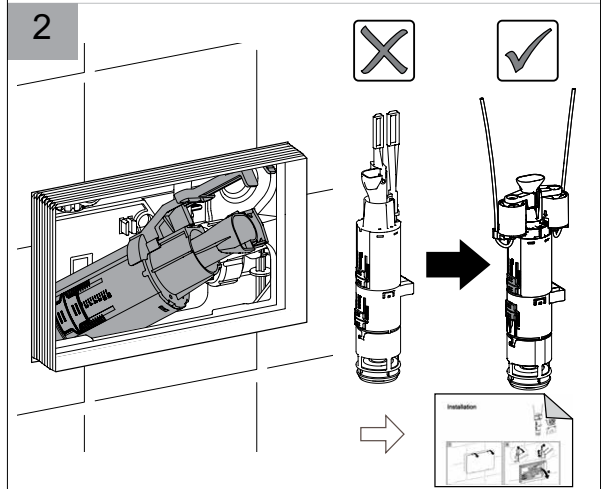
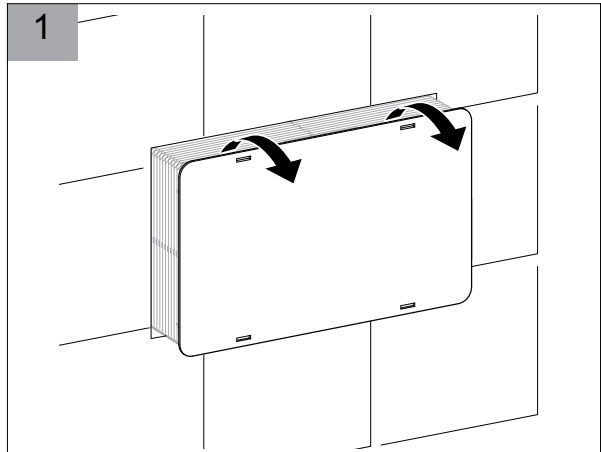
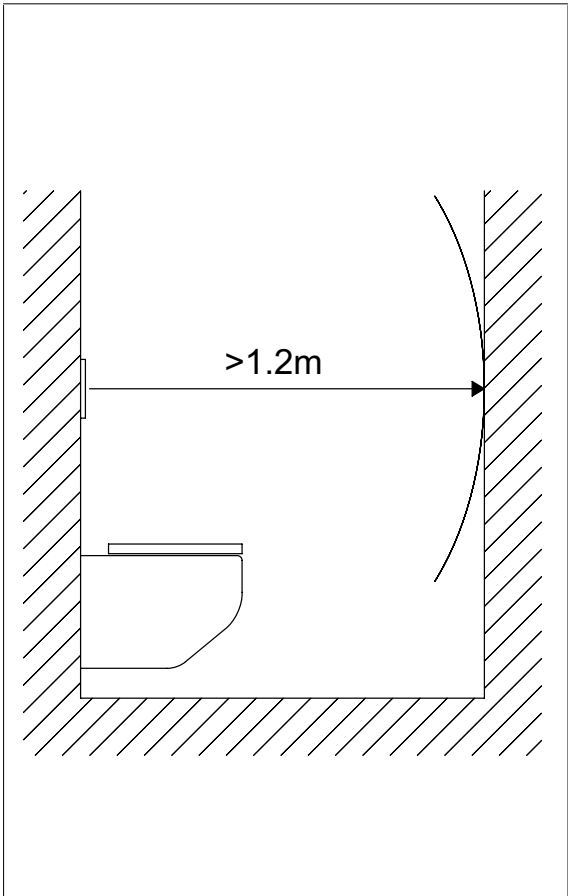
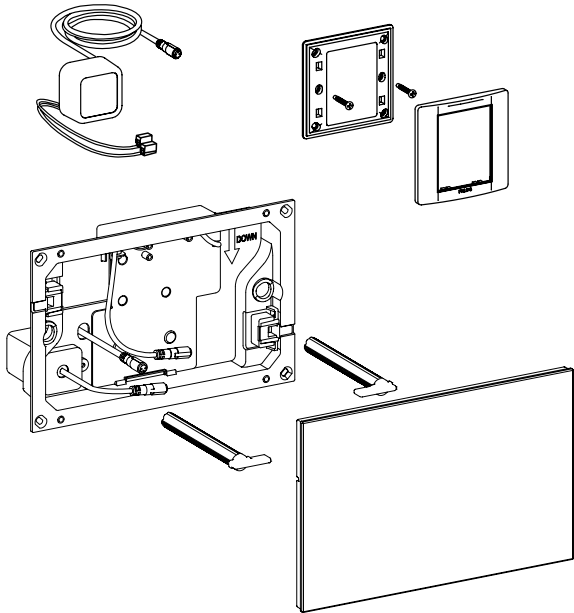
Installation guide



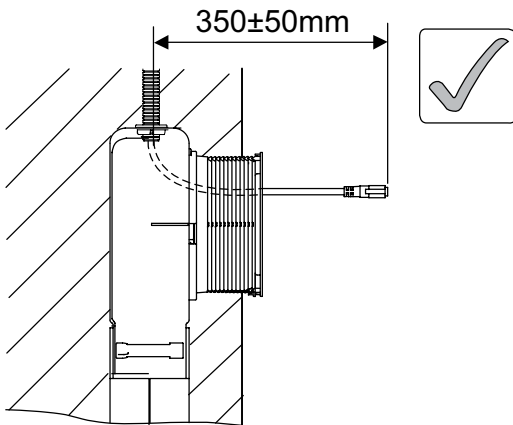
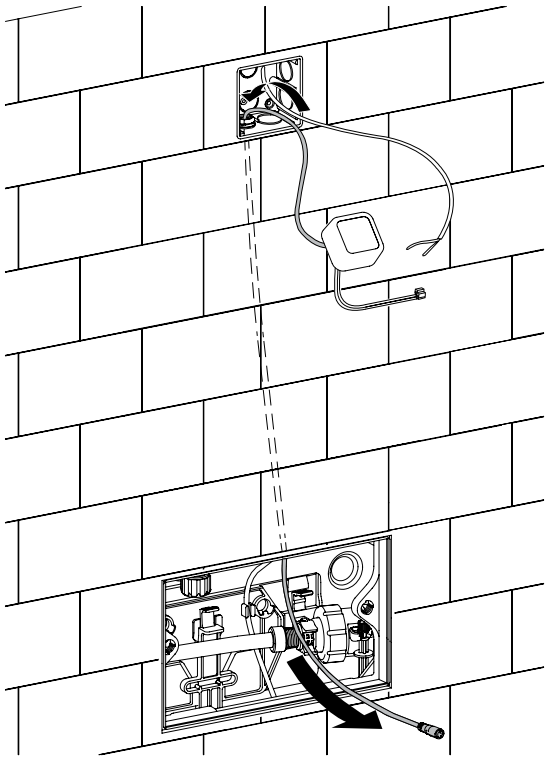


i

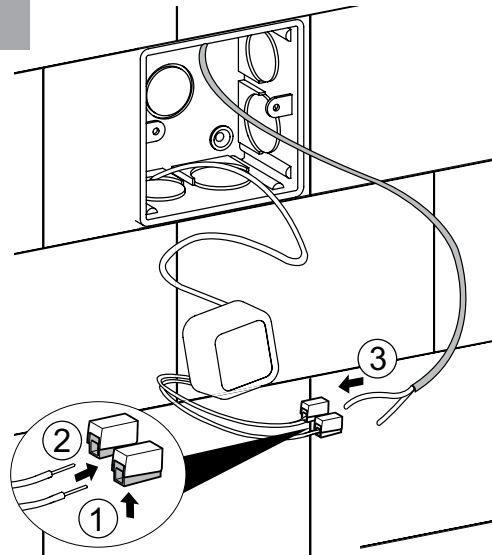




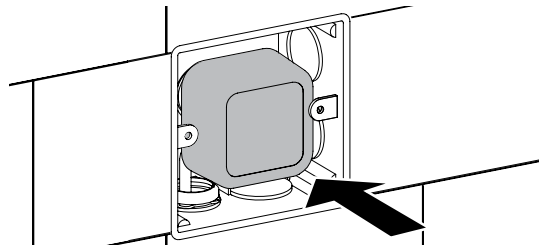
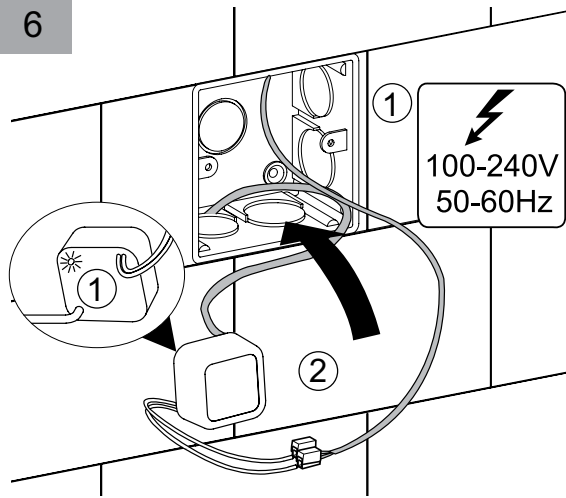
4



5



6



7

