

# Flush Plate 300

Former name: Flush Plate 300



## Raised flush buttons for in-wall toilet system Pneumatic control

- Pneumatic push button system allows for flexible placement of flush plate
- Easy to install and service

### Order codes

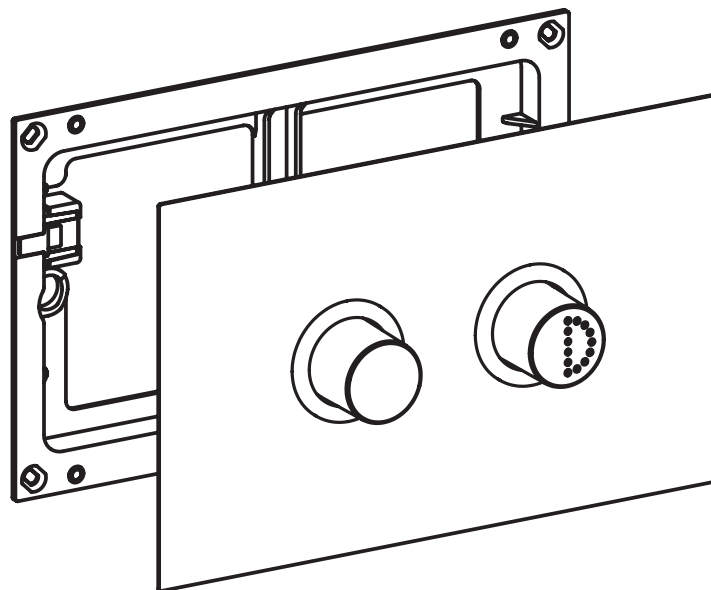
191798 Flush plate 300, Chrome plated metal Old code: STO-B300-C

### Product details

MATERIALS Chrome plated metal.

DIMENSIONS 232W x 148H, plate depth 4.2 mm, button depth 20 mm.

INSTALLATION Refer to installation instructions.



# SEIMA

kitchen + laundry + bathroom ware

[seima.com.au](http://seima.com.au)

### Please note

- Installation shall be in accordance with AS/NZS3500.
- All measurements are in millimetres. Height dimensions are to base of pan. Make allowance for bedding.
- Bedding: Pan may be bedded with cement base or using silicone sealant. Fix pan to floor using a sand cement mixture of 3:1 to a depth of 60mm. Do not use lime or fast-drying cement.

- Bracket fixing: The pan should be bedded with silicone sealant and fixed with the brackets supplied.
- Do NOT use epoxy type adhesives.
- Dimensions are nominal and subject to normal ceramic manufacturing variations.
- Specifications may vary without notice as part of our continuous improvement practices.
- Clean with a damp cloth. Do not use abrasive cleaners, liquids or pastes.