

SEIMA

FlexiWaste™

Bath Installation Kit with Overflow and Pop-out Bath Waste

This Kit includes Pop-out Bath Waste + Overflow Dome available in colour options

This FlexiWaste kit:

[Colour]
[SKU]

- Pop-out bath waste
- Overflow dome + disc



[Example image only]

Kit contents

Overflow dome
Overflow head comes with Chrome dome as standard. Colour dome and disc replace the standard fittings.

Overflow head and dome + disc
Colour options:

DN32 Flexible Overflow Hose
32mm diameter, 1.2m length included

Pop-out bath waste
Colour options:

StarConnect
Bath waste connector

DN40 Flexible Waste Hose
40mm diameter, 300mm included (longer lengths available)

Floor Waste Elbow

The StarConnect advantage

1 Ultra-low 75mm profile under bath

2 Multi-directional input + outlet options

3 Knock-out openings on all three DN32 spigots

SEIMA

kitchen + laundry + bathroom ware

seima.com.au



Designed and made in Australia by Seima. Patented, registered design.



WMTS 040 LN 23422
ID: 191992, 191993



Scan for video instructions



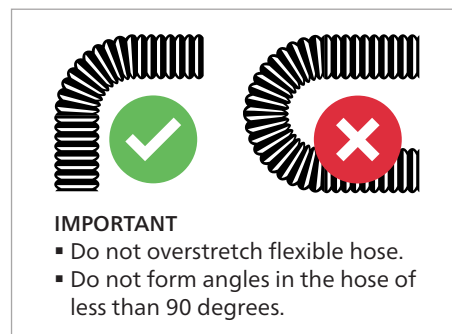
Bath Installation Kit with Overflow and Pop-out Bath Waste

Important

Read all instructions before starting installation.

The installation sequence shown here is a recommendation. The sequence can be changed to suit your circumstances.

Must be installed by a licensed plumber in accordance with Australian Standard AS3500.



Instructions – Steps

- OVERFLOW HOLE** If the overflow hole is not pre-drilled, drill a **48-51 mm hole** in a suitable position for the overflow to be fitted. Before drilling, ensure that the proposed position of the hole allows enough clearance to fit the **Base of Overflow Head and Seal** to the under-side of the bath.
- REFER TO (A) IN DIAGRAM BELOW** Orientate the **StarConnect DN40 Spigot** to face towards the location of the floor waste. Note details of this positioning.
- REFER TO (B) IN DIAGRAM BELOW** With this orientation in mind, determine which **ONE** of the three **StarConnect DN32 Spigots** is the most appropriate to connect to the overflow.
- REFER TO (C) IN DIAGRAM BELOW** Carefully knock out the chosen **StarConnect DN32 Spigot**, using a hammer and screwdriver, to create an overflow water path. File or remove any burrs to ensure a clear water pathway. **CAUTION: DO NOT KNOCK OUT MORE THAN ONE SPIGOT.**

Steps 2, 3 and 4

Top down view

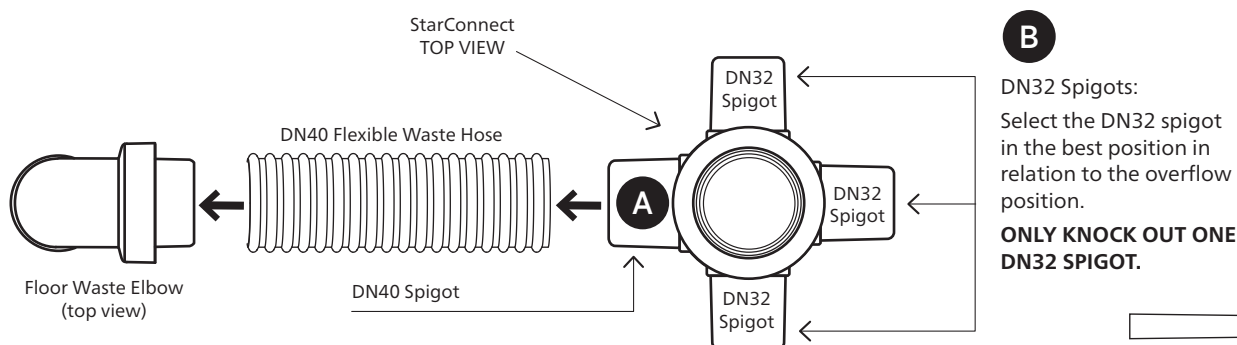
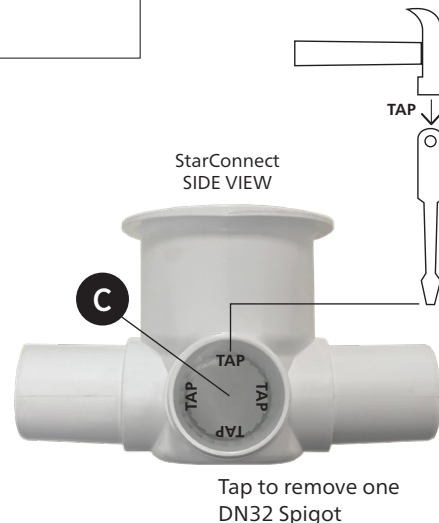


Diagram instructions

- | | |
|--|---|
| <p>A • Face the DN40 Spigot towards the floor waste location.</p> <p>B • One DN32 Spigot should link to DN32 Flexible Hose and Overflow Head.</p> <p>• Select the DN32 Spigot in the best position in relation to the overflow position. This spigot will be knocked out to create a path for the overflow water.</p> | <p>C • Tap with a screwdriver inside the chosen DN32 Spigot, where shown, to remove the knock-out.</p> <p>• File or remove any burrs to ensure a clear pathway.</p> <p>ONLY KNOCK OUT ONE DN32 SPIGOT.</p> |
|--|---|



- 5 Measure and cut the **DN32 Flexible Overflow Hose** to an appropriate length, to connect the **Base of the Overflow Head** to the **DN32 Spigot** that has been knocked out for the overflow connection.
- 6 Solvent weld the **DN32 Flexible Overflow Hose** onto the **Base of Overflow Head**. Use approved cleaning and solvent weld cement.
- 7 Fit **Base of Overflow Head** with **Seal** into inner side of bath overflow hole. Do not use silicone.
- 8 On the outer side of the bath, secure the **Metal Disc** of Overflow Head to the **Base of Overflow Head** (on inner side of bath, as in 7 above), using the **Screw** provided. Hand tighten **Screw** using hand screwdriver. (Do not use power screwdriver.) Hand screw the **Overflow Dome** onto the **Metal Disc**.

(The **Overflow Head** is now in place, ready to attach the **Overflow Hose** in Step 10.)

- 9 First take the **Pop-out Waste** and unscrew the brass nut from the base (discard nut, not required). Now remove the large clear rubber seal from the base. Apply silicone as indicated to ensure a watertight seal between the bath, waste and StarConnect. **REFER TO DIAGRAM IN CIRCLE BELOW.**
- 10 Position the **Overflow Hose** to avoid rotational stress. Solvent weld the **Overflow Hose** to the open **DN32 Spigot** (the chosen spigot that you knocked out).
- 11 Measure and cut the appropriate length of **DN40 Flexible Waste Hose** to link the **DN40 Spigot** of the StarConnect to reach the floor waste location and **Floor Waste Elbow**.
- 12 Solvent weld the **DN40 Flexible Waste Hose** to link the **DN40 Spigot** and **Floor Waste Elbow**.
- 13 Install the **Floor Waste Elbow** to the floor trap or floor waste in accordance with AS3500.
- 14 Leak test the whole system as per AS3500 before enclosing.

