

Chios Close Coupled

Collection: Essential



Ceramic close coupled toilet suite Clean Flush, Easy Care Height

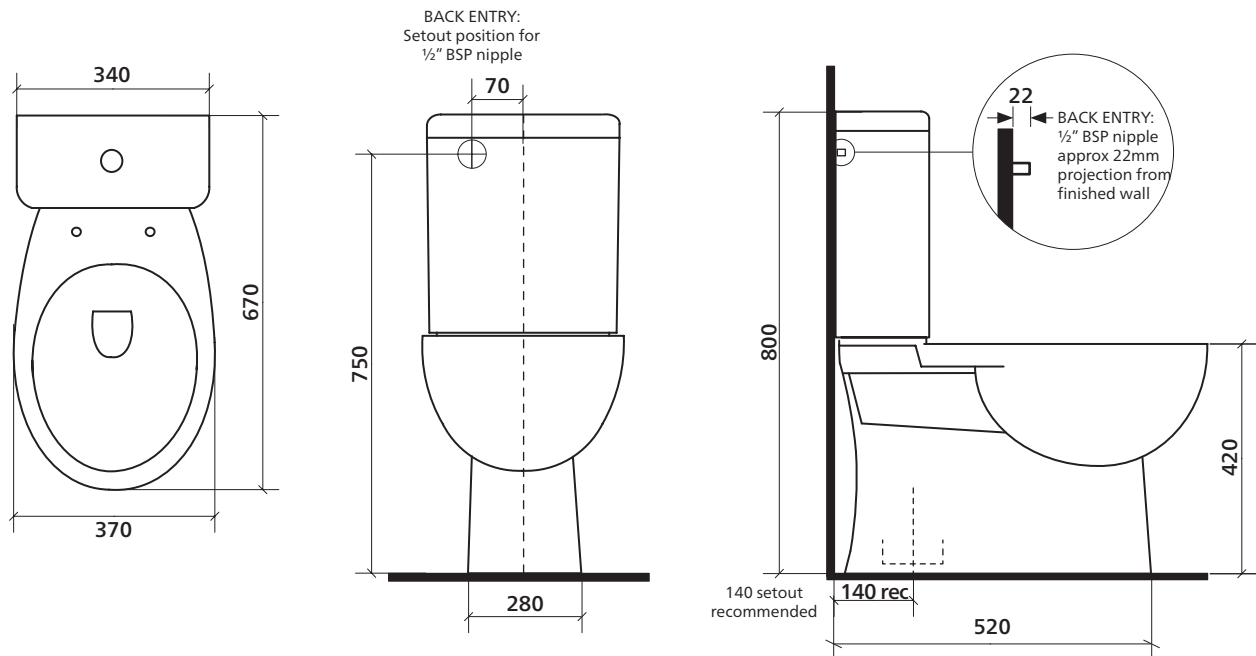
- Clean Flush rimless pan design for an efficient, powerful flush
- Easy care height pan
- White vitreous china
- Quick release, soft closing seat
- S trap only
- Bottom entry plumbing, optional back entry plumbing
- WELS 4 star 4.5/3L water saving flush


Order codes


191788	Chios CC, bottom entry	(old code: STO-402-00)
191789	Chios CC, back entry option	(old code: STO-402-01)

Product details

CISTERN	Bottom entry as standard, left and right inlet points. Optional back entry plumbing.
PAN	Close coupled with rimless pan design.
TRAPS	Suitable for S trap installations.
SEAT	Quick release, soft closing seat.
WELS	4 star rating 4.5/3 litre water saving flush. WELS licence 0296.
SETOUT	140 mm recommended.
FIXING	This is a close coupled toilet suite — the cistern is fixed directly to the pan and does not require wall fixing. Pan may be bedded with cement base or using silicone sealant.



 Rimless Clean Flush pan – for an efficient, powerful flush.

 Easy care height – making it easier to get on and off the seat.

SEIMA

kitchen + laundry + bathroom ware

seima.com.au

Please note

- Installation shall be in accordance with AS/NZS3500.
- All measurements are in millimetres. Height dimensions are to base of pan. Make allowance for bedding.
- Bedding: Pan may be bedded with cement base or using silicone sealant. Fix pan to floor using a sand cement mixture of 3:1 to a depth of 60mm. Do not use lime or fast-drying cement.

- Bracket fixing: The pan should be bedded with silicone sealant and fixed with the brackets supplied.
- Do NOT use epoxy type adhesives.
- Dimensions are nominal and subject to normal ceramic manufacturing variations.
- Specifications may vary without notice as part of our continuous improvement practices.
- Clean with a damp cloth. Do not use abrasive cleaners, liquids or pastes.