

# Chios 515 Care



Collection: Essential  
Former name: Fotia 515

AS1428.1 Ambulant

AS1428.1 Accessible



## Wall basin, D-shaped Optional shroud

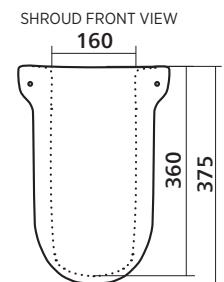
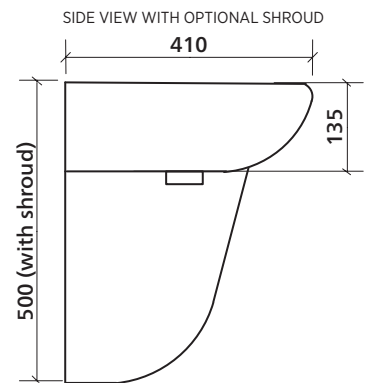
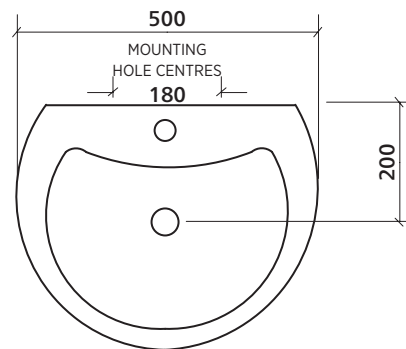
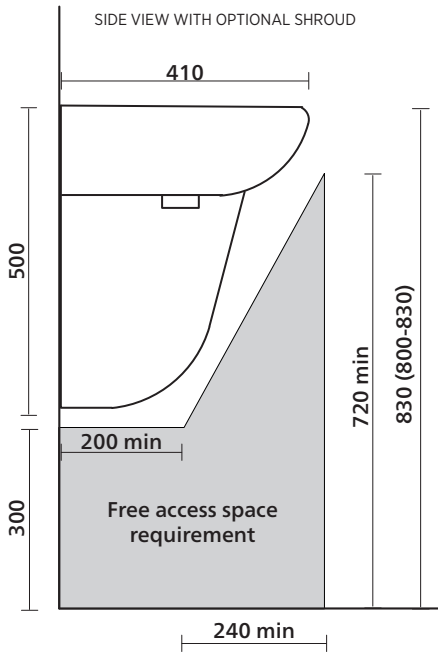
This modern, practical basin maximises bowl capacity in a compact space. The optional shroud covers wall exit pipes. Or use a chrome bottle trap for a different look with exposed plumbing.

### Order codes


191494	Chios 515, 1 taphole	Old code: SBC-515
191495	Chios 515, 3 tapholes	Old code: SBC-515-3T
191496	Shroud (ceramic) for Chios 515 (optional extra)	Old code: SBC-515-S

### Product details

WASTE	Suits standard 32 mm waste with overflow (not supplied).
TRAP	Wall basin can be used with chrome bottle trap, subject to local licensing authorities.
CAPACITY	5 litres.
OVERFLOW	Standard with overflow.
MATERIAL	White vitreous china.
WALL FIXING	Basin fixing kit supplied.



Chios 515 Care

 Basin has integrated overflow.

### Premium Basin Wastes (AVAILABLE SEPARATELY)

#### POP-OUT BASIN WASTE – WITH CERAMIC CAP AND CHROME BASE

192258 Ceramic Pop-out Basin Waste, White Gloss  
(Note: Ceramic caps are also available in other colours and finishes)

#### POP-OUT BASIN WASTE – WITH METAL CAP AND MATCHING BASE

192010	Pop-out Basin Waste – Chrome
192012	Pop-out Basin Waste – Brushed Nickel
192199	Pop-out Basin Waste – Gunmetal
192013	Pop-out Basin Waste – Brushed Gold
192009	Pop-out Basin Waste – White Matte
192011	Pop-out Basin Waste – Black Matte



basin wastes

# SEIMA

kitchen + laundry + bathroom ware

seima.com.au

### Please note

- All measurements are in millimetres.
- Dimensions are nominal and subject to normal ceramic manufacturing variations of  $\pm 5$ mm.
- Wastes, taps and bottle traps shown in images are not included unless specified.
- Fixing: Use silicone sealant. Do not use epoxy type adhesives.
- Always use the actual basin to verify cutout.
- Specifications may vary without notice as part of our continuous improvement practices.
- Clean with a damp cloth. Do not use abrasive cleaners, liquids or pastes.