

Collection: Essential
Former name: Chios 205 Care

AS1428.1 Ambulant

AS1428.1 Accessible



Semi-recessed basin, oval

This classic semi-recessed basin has generous capacity and is ideal for narrow benchtops. The elegant design will complement a wide range of bathroom styles.

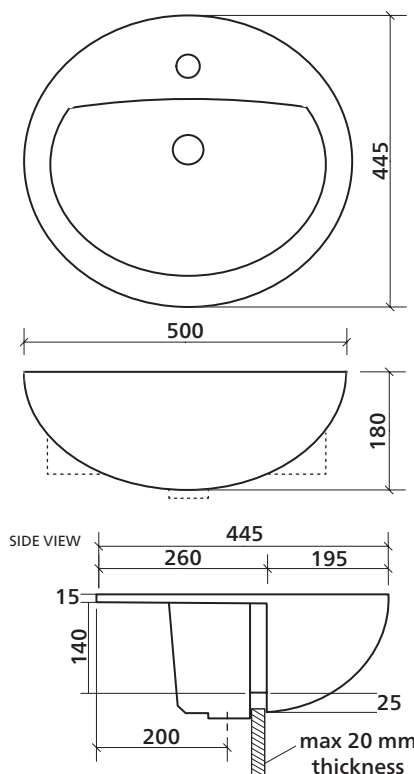
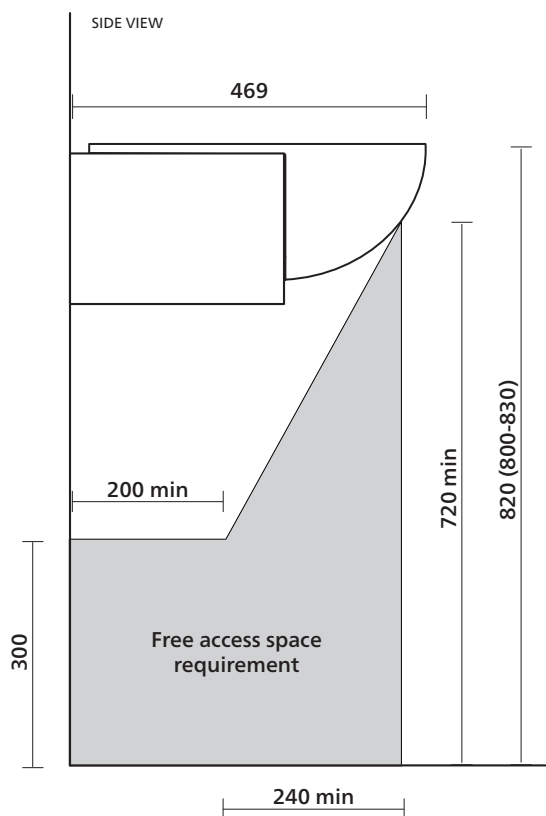
Order codes

191472 Chios 205, 1 taphole
191474 Chios 205, 3 tapholes


Old code: SBC-205
Old code: SBC-205-3T

Product details

TAPHOLE 1 or 3 tapholes.
WASTE Suits standard 32 mm waste with overflow (not supplied).
CAPACITY 7 litres.
OVERFLOW Standard with overflow.
MATERIAL White vitreous china.
FIXING Always use the actual basin to verify cutout.
Use silicone sealant. Do not use epoxy type adhesives.



Chios 205 Care

 Basin has integrated overflow.

Premium Basin Wastes (AVAILABLE SEPARATELY)

POP-OUT BASIN WASTE – WITH CERAMIC CAP AND CHROME BASE
192258 Ceramic Pop-out Basin Waste, White Gloss
(Note: Ceramic caps are also available in other colours and finishes)

POP-OUT BASIN WASTE – WITH METAL CAP AND MATCHING BASE
192010 Pop-out Basin Waste – Chrome
192012 Pop-out Basin Waste – Brushed Nickel
192199 Pop-out Basin Waste – Gunmetal
192013 Pop-out Basin Waste – Brushed Gold
192009 Pop-out Basin Waste – White Matte
192011 Pop-out Basin Waste – Black Matte



basin wastes

SEIMA

kitchen + laundry + bathroom ware

seima.com.au

Please note

- All measurements are in millimetres.
- Dimensions are nominal and subject to normal ceramic manufacturing variations of ± 5 mm.
- Wastes, taps and bottle traps shown in images are not included unless specified.
- Fixing: Use silicone sealant. Do not use epoxy type adhesives.
- Always use the actual basin to verify cutout.
- Specifications may vary without notice as part of our continuous improvement practices.
- Clean with a damp cloth. Do not use abrasive cleaners, liquids or pastes.

chios-205-care-ds | v 3.0