

Arqstone sinks

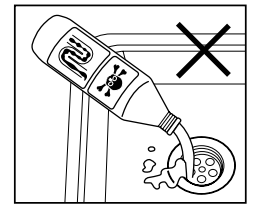
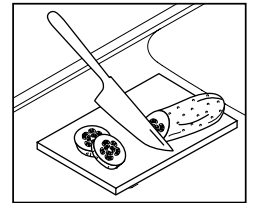
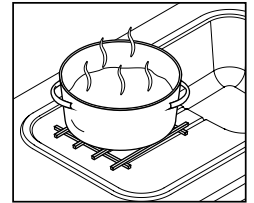
Installation and care guide

Looking after your Arqstone sink

Arqstone engineered stone is exceptionally strong, durable and easy to clean.

Arqstone sinks are designed for normal domestic use. Follow these guidelines to keep your Arqstone sink looking beautiful.

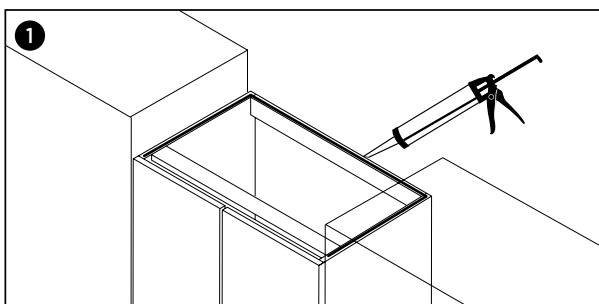
- Avoid placing hot pans or objects directly onto the sink. Instead, use a wooden board, stainless steel rollout mat or other device to protect the sink.
- Do not use the sink as a cutting surface. Use a cutting board instead.
- Avoid any strong chemical agents from coming into contact with the sink surface.
- Do not use abrasive cleaners or cleaning pads on the sink.
- Avoid leaving any strongly coloured substances (such as coffee, tea, red wine, vegetable juice etc) on the sink surface.
- Do not throw cutlery or other hard or pointed objects onto the sink surface, as this can damage the sink.



How to clean your Arqstone sink

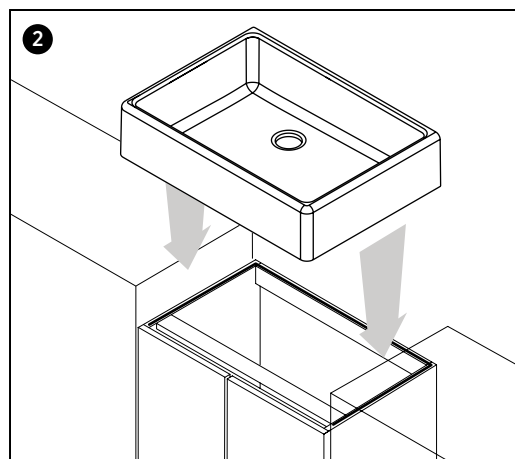
- For everyday cleaning, use warm water, liquid detergent and a soft cloth. Do not use abrasive cleaners or chemicals.
- Spillages of strongly coloured substances (eg coffee, red wine, vegetable juice etc) should be wiped up straight away.
- For further care and cleaning guidelines, refer to seima.com.au/support

Butler sink installation



Ensure that the surface to be siliconed, where the sink will be located, is cleaned and free of grease. Ensure that the surface is level.

Apply a neat line of silicone as shown and position the sink in place. Allow time for the silicone to cure before using the sink.



Please note:
Butler sinks can be installed in a number of ways. The most common is under the benchtop with the sink extending beyond the front of the cupboards. Sinks can also be installed level with the benchtop, or even above benchtop level.

IMPORTANT! Use silicone sealant. DO NOT USE EPOXY TYPE ADHESIVES. Use of epoxy adhesives will void the warranty.

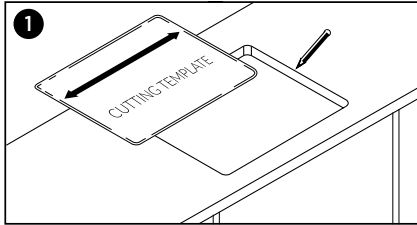
SEIMA

bathroom | kitchen | laundry

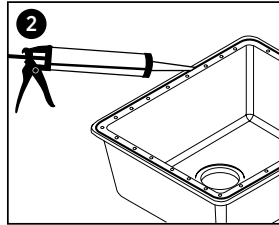
Arqstone sinks

Installation and care guide

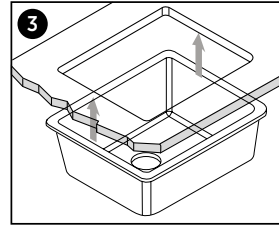
Undermount sink installation



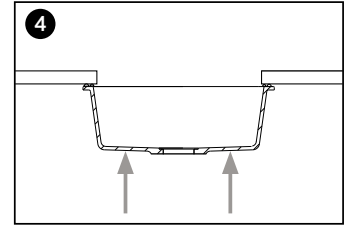
1 Use the cutting template to draw and cut a precise hole in the benchtop. Make allowance for any polishing back that is required after cutting. Finish the hole rim.



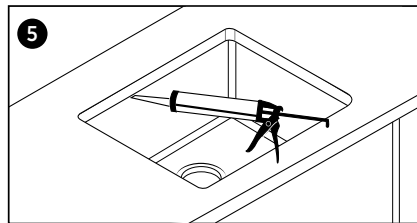
2 Place a neat line of silicone sealant around the sink rim.



3 Carefully locate the sink under the benchtop. The silicone will attach the sink to the benchtop.



4 Support and place upwards pressure on the sink to keep it in place while the silicone is curing.

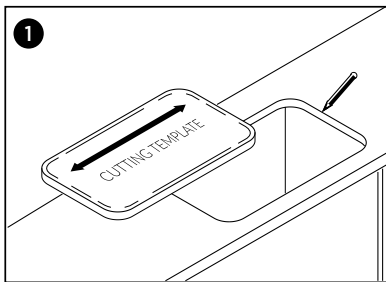


5 Use silicone to seal the gap between the benchtop and sink. Take care to ensure that the silicone is not visible.

IMPORTANT!

Use silicone sealant.
DO NOT USE EPOXY TYPE ADHESIVES.
Use of epoxy adhesives will void the warranty.

Abovemount sink installation

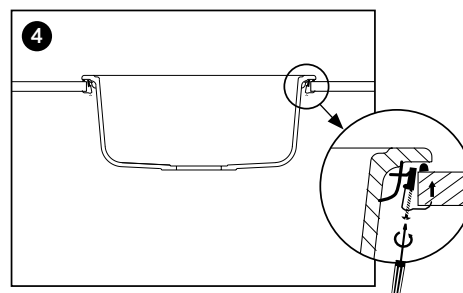
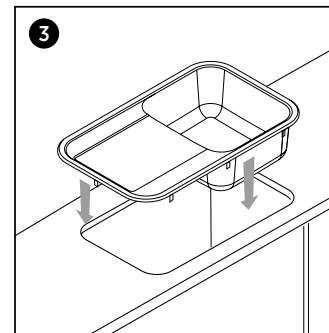
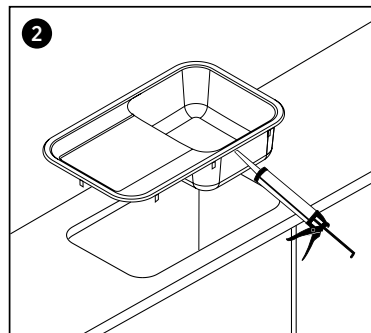


1 Use the cutting template to draw and cut a precise hole in the benchtop.

If your sink has clips, use clips as well as silicone. Place a neat line of silicone under the rim of the sink and position the sink in place.

IMPORTANT!

Use silicone sealant.
DO NOT USE EPOXY TYPE ADHESIVES.
Use of epoxy adhesives will void the warranty.



SEIMA

bathroom | kitchen | laundry