

# Arko 001

Collection: Elevate  
Former name: los 001, SBC-001



## Above counter basin, round

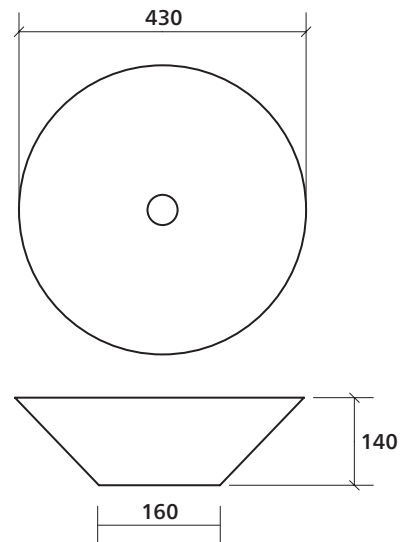
This classic vessel style basin has straight sides and sits above benchtop level, to create a striking contemporary bathroom centrepiece.

### Order code

191428 Arko 001 ceramic basin, White Gloss

### Product details

TAPHOLE	No taphole.
WASTE	Suits 32 mm waste (not supplied).
OVERFLOW	No overflow.
CAPACITY	6 litres.
MATERIAL	Ceramic basin, vitreous china.
COLOUR	White.
COLOUR	Gloss.
FIXING	Always use the actual basin to verify cutout. Use silicone sealant. Do not use epoxy type adhesives.



Arko 001

### Premium Basin Wastes (AVAILABLE SEPARATELY)

#### POP-OUT BASIN WASTE – CERAMIC CAP + CHROME BASE

192258 Ceramic Pop-out Basin Waste, White Gloss  
(Note: Ceramic caps are also available in other colours and finishes)

#### POP-OUT BASIN WASTE – COLOUR METAL CAP + BASE

192010 Pop-out Basin Waste – Chrome  
192012 Pop-out Basin Waste – Brushed Nickel  
192199 Pop-out Basin Waste – Gunmetal  
192013 Pop-out Basin Waste – Brushed Gold  
192009 Pop-out Basin Waste – White Matte  
192011 Pop-out Basin Waste – Black Matte



basin wastes

# SEIMA

kitchen + laundry + bathroom ware

seima.com.au

#### Please note

- All measurements are in millimetres.
- Dimensions are nominal and subject to normal ceramic manufacturing variations of  $\pm 5$ mm.
- Wastes, taps and bottle traps shown in images are not included unless specified.
- Fixing: Use silicone sealant. Do not use epoxy type adhesives.
- Always use the actual basin to verify cutout.
- Specifications may vary without notice as part of our continuous improvement practices.
- Clean with a damp cloth. Do not use abrasive cleaners, liquids or pastes.